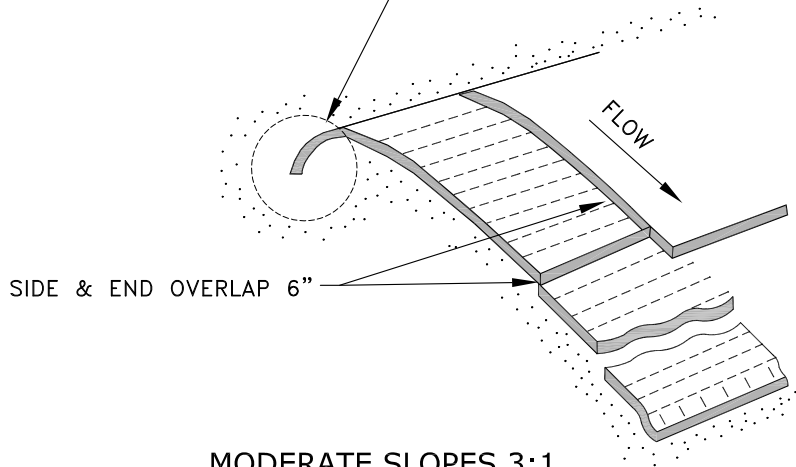


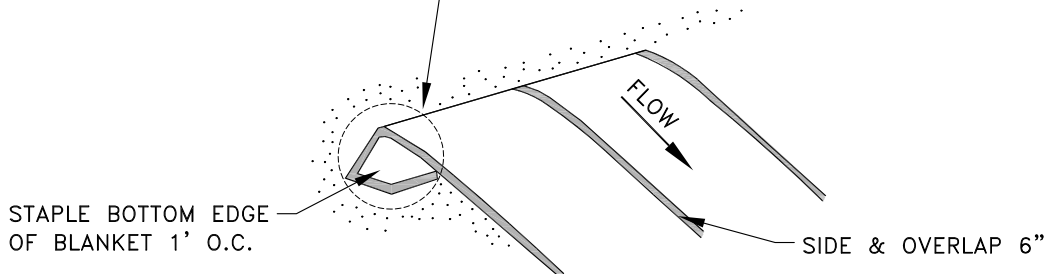
SHALLOW SLOPES 4:1 OR LESS

BURY TOP 4 INCHES OF BLANKET AND STAPLE EDGE 1' O.C.



MODERATE SLOPES 3:1

BURY TOP 12 INCHES OF BLANKET IN 6"X6" TRENCH.



STEEP SLOPES 2:1 OR GREATER

NOTES:

- 1) ON SHORT OR SHALLOW SLOPES BLANKETS MAY BE APPLIED ACROSS THE SLOPE.
- 2) ALL BLANKET STAPLING REQUIRED AS PER MANUFACTURER.
- 3) SLOPE SURFACES SHALL BE FREE OF ROCKS, CLODS, STICKS AND VEGETATION. MATS SHALL HAVE GOOD SOIL CONTACT.
- 4) APPLY PERMANENT SEED PRIOR TO INSTALLING BLANKET.
- 5) INSTALL AND STAPLE PER MANUFACTURER'S SPECIFICATIONS.



City of Lake Oswego
Engineering Division

Erica Rooney, P.E. City Engineer

MATTING SLOPE INSTALLATION

E1-04

EFFECTIVE DATE: JANUARY 1, 2018

NOT TO SCALE

DRAWING NUMBER