

WHATLEY COMPOSITE POLE TR47,  
OR APPROVED EQUAL



**ABOVE GRADE HEIGHT**

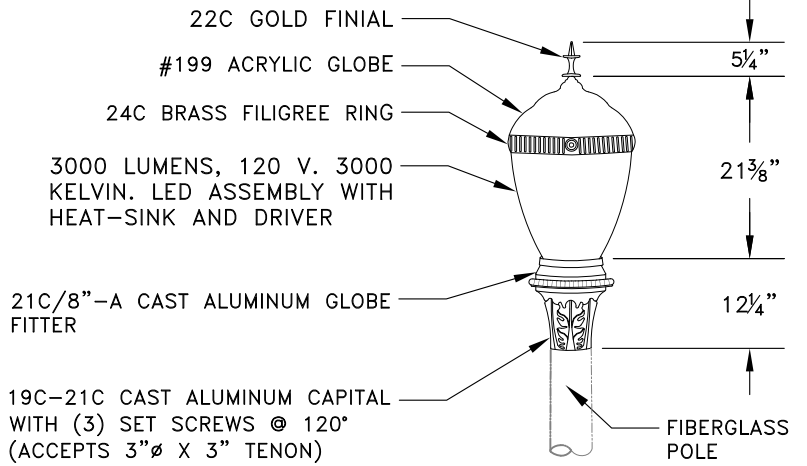
Cat No.	Description
TR47-10	10 feet /3.0M
TR47-12	12 feet /3.7M
TR47-14	14 feet /4.3M
TR47-16	16 feet /4.9M
TR47-18	18 feet /5.5M
TR47-20	20 feet /6.1M
TR47-22	22 feet /6.71M
TR47-24	24 feet /7.32M
TR47-26	26 feet /7.92M
TR47-28	28 feet /8.53M
TR47-30	30 feet /9.14M

**INSTALLATION METHOD**

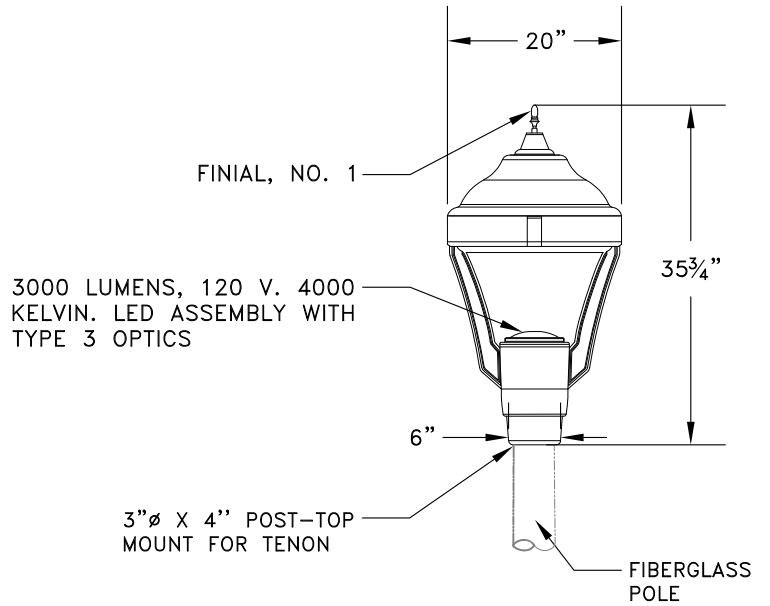
Cat No.	Description
DE	Direct Embedded
AB	Anchor Base

**COLOR**

Cat No.	Description
BLK/BZ	Black
DBZ/BZ	Dark Bronze



**Visco Acorn  
LED Luminaire**



**Cal-Aria, Size 3,  
LED Luminaire**

**NOTES:**

1. LUMINAIRE OPTION SPECIFIED PER PROJECT PLANS.
2. PREPARE FOOTINGS PER MANUFACTURER'S OR GEOTECHNICAL ENGINEER'S RECOMMENDATIONS.



City of Lake Oswego  
Engineering Division  
Erica Rooney, P.E. City Engineer

**FIBERGLASS STREET LIGHT  
POLE & LUMINAIRE**

**S5-02C**

EFFECTIVE DATE: JANUARY 1, 2018

NOT TO SCALE

DRAWING NUMBER