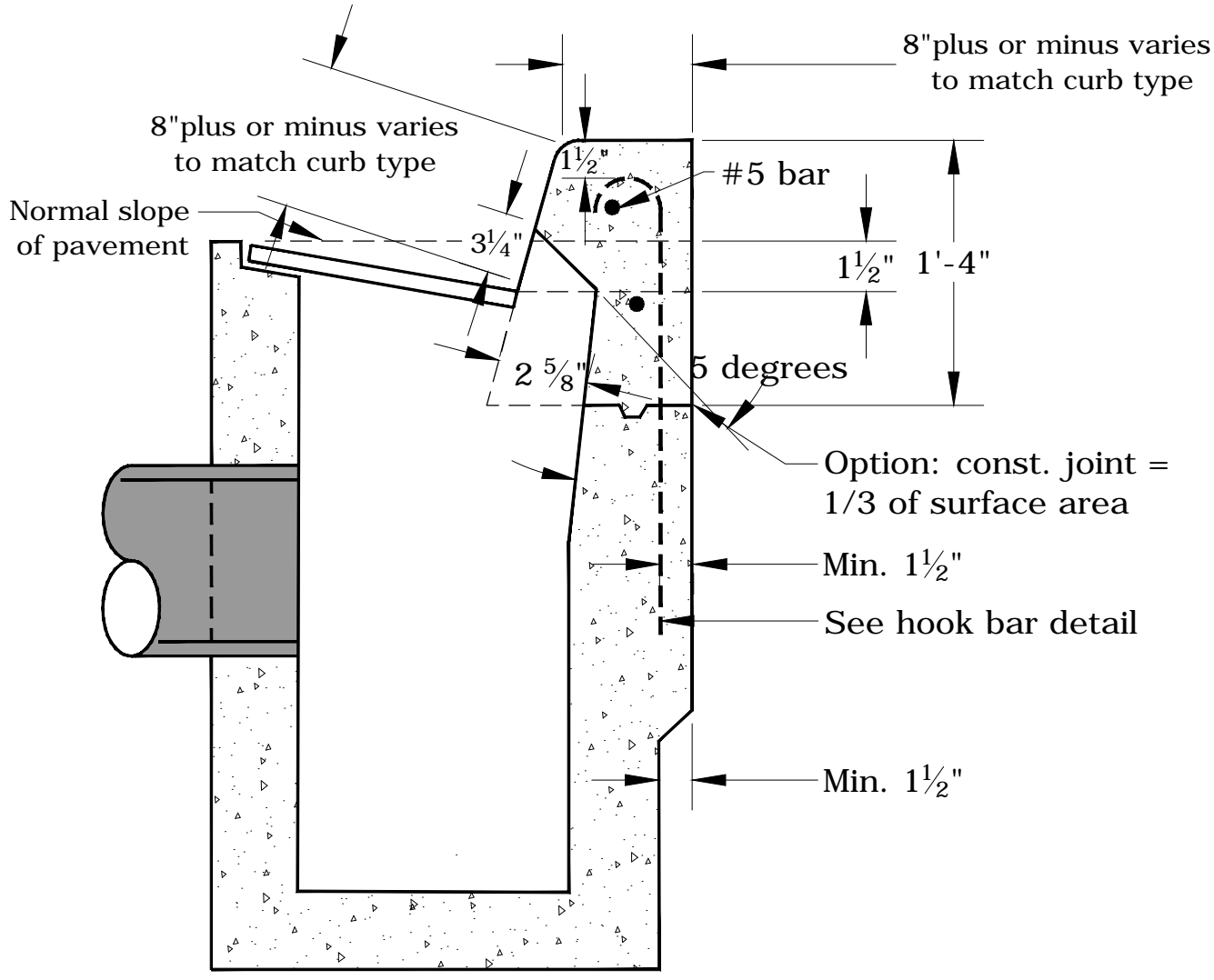
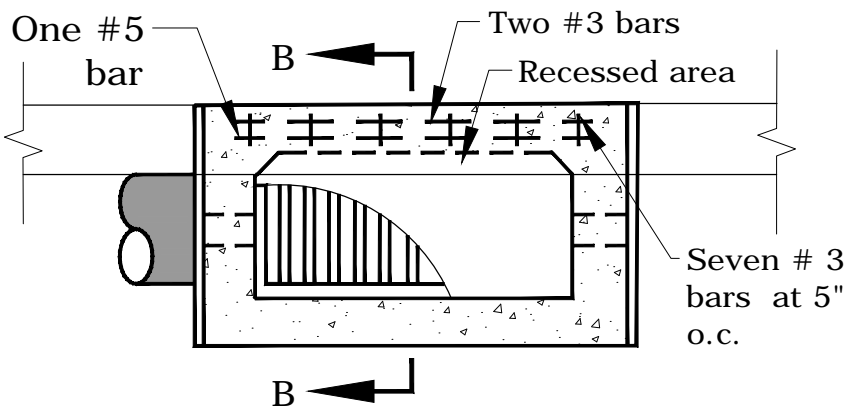


HOOK BAR DETAIL



City of Lake Oswego
Engineering Division
Guy Graham, P.E. Public Works Director
City Engineer

**GUTTER AND CURB CATCH
BASIN (CG-1) DETAIL A"**
(CWS DRAWING NO. 140B-ST)

DRAWING NUMBER: SD5-01A

Drawn: DB	Redrawn:
Design: USA	Redesigned: —
Check: MS/GD	Update: KBK
Scale: N.T.S.	Update Check: DK
Date: 16-17-98	Date/Update: 4/27/12