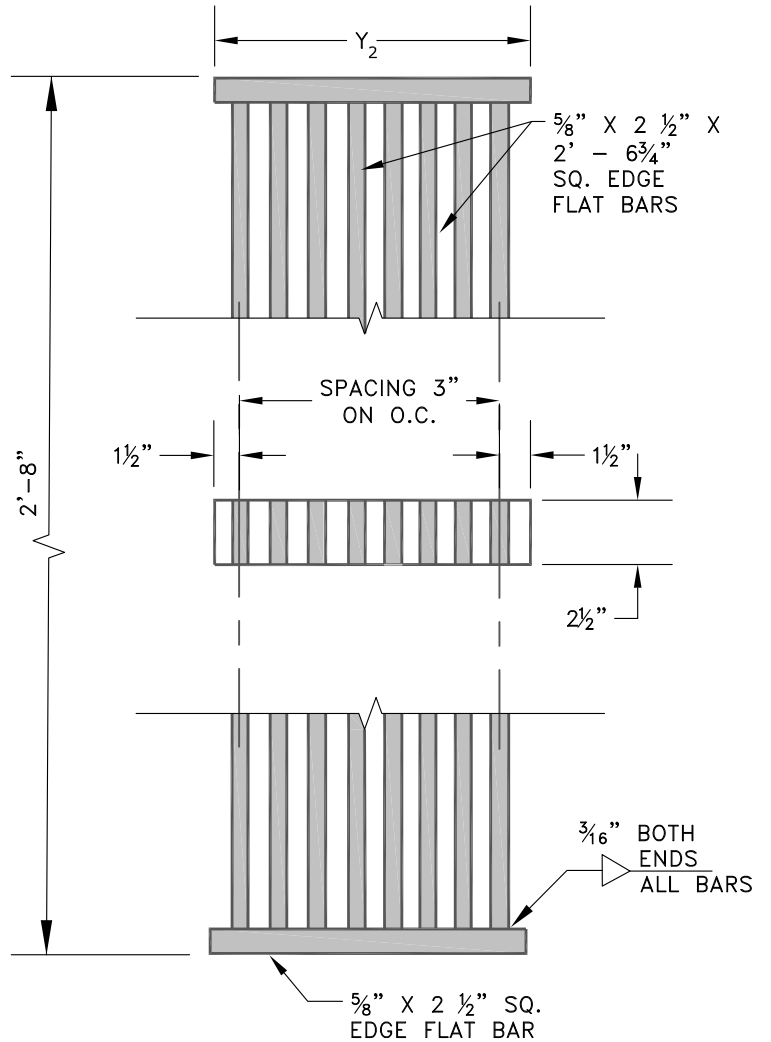


FRAME



GRATE - TYPE 1

INLET TYPE	FRAME		GRATE			REMARKS
	V	Y ₁	Y ₂	NO. OF BARS	TYPE	
G	1'-3 1/4"	1'-1 7/8"	1'-1 1/2"	8	1	
(C) G-1	1'-10 3/4"	1'-9 3/8"	1'-9"	12	2	
(C) G-2	2'-4 3/4"	2'-3 3/8"	1'-1 1/2"	8	1	2-GRATES



City of Lake Oswego
Engineering Division
Erica Rooney, P.E. City Engineer

**CATCH BASIN
FRAME & GRATE**

SD5-02

EFFECTIVE DATE: JANUARY 1, 2018

NOT TO SCALE

DRAWING NUMBER