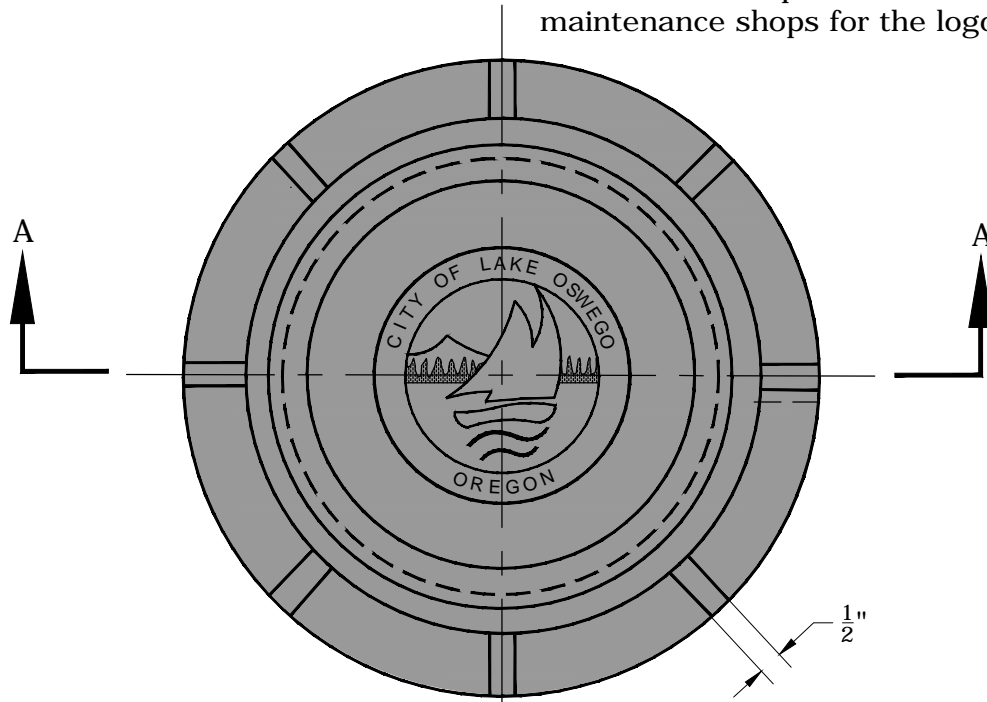
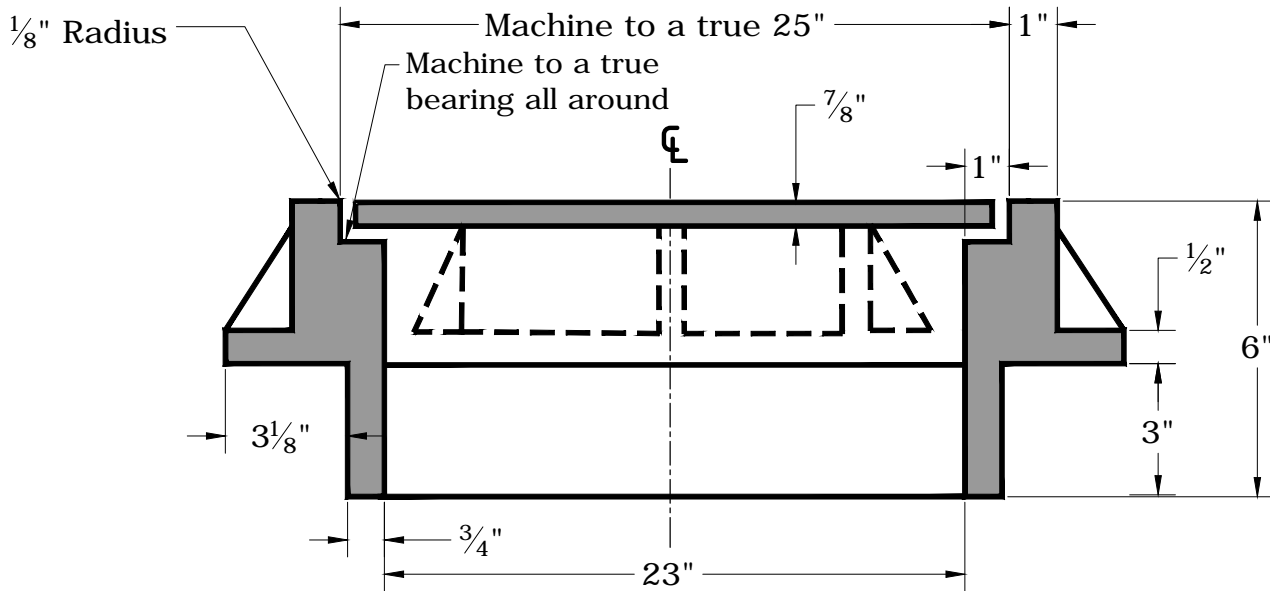


Note: All sanitary & storm manhole covers are to include City of L.O. logo cast into center of lid. Contractor is responsible to contact City maintenance shops for the logo lid availability.



TOP VIEW



SECTION A-A

Notes:

- 1) Material to be gray cast iron ASTM A-48, Class 30.
- 2) Suburban manhole frame shall be used in non- vehicular use areas only.

City of Lake Oswego
Engineering Division
Guy Graham, P.E. Public Works Director
City Engineer

SUBURBAN MANHOLE
FRAME & COVER

DRAWING NUMBER: WW2-02

Drawn: DB	Redrawn:
Design: JBK	Redesigned:
Check: JBK/JD	Update: KBK
Scale: N.T.S.	Update Check: DK
Date: 4/11/07	Date/Update: 7/25/12